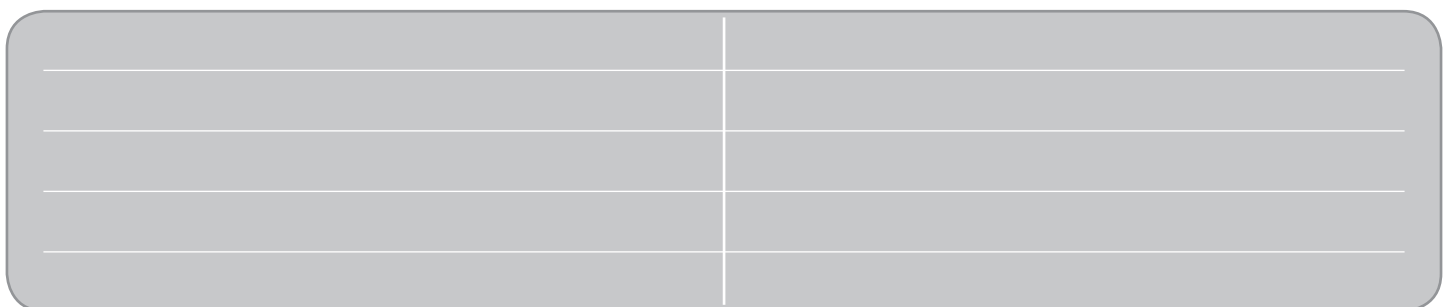
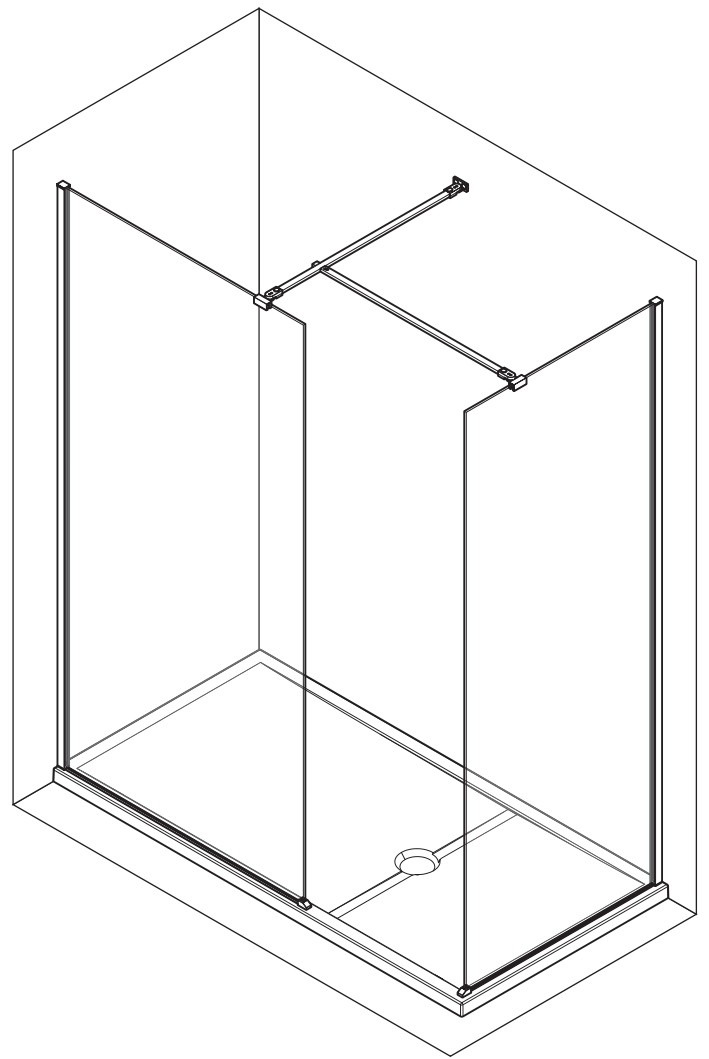
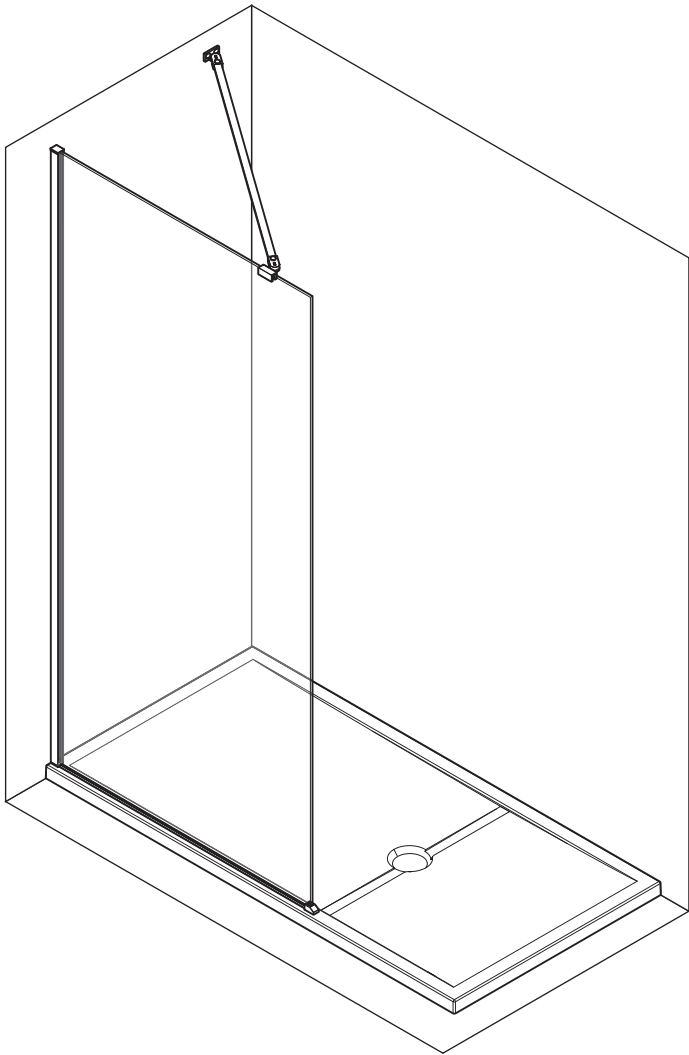


ELISEA

H

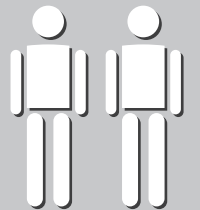
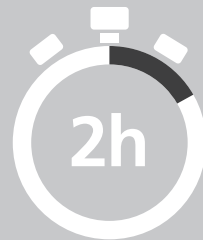
H+H

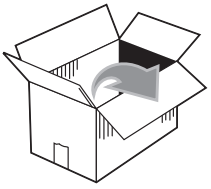


2000

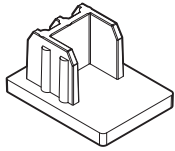
M

O

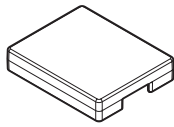




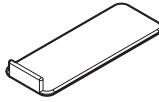
B1 x1



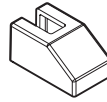
B2 x1



B3 x2



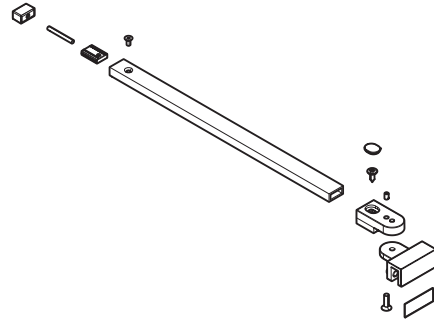
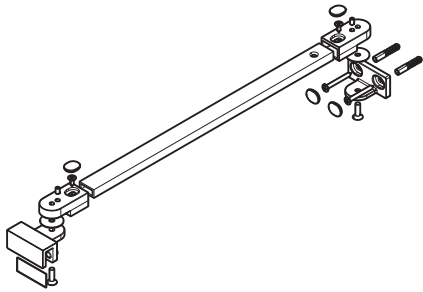
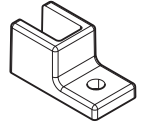
B4 x1



B5 x1



B6 x1



C1 x4



S6

C2 x4



4x35

C4 x1



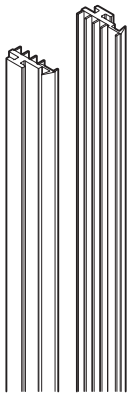
4,5x60

C5 x1

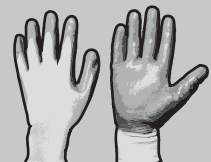
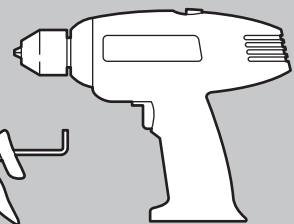
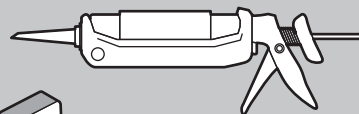
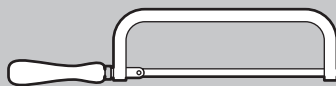
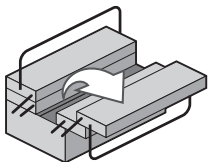


FU8x50

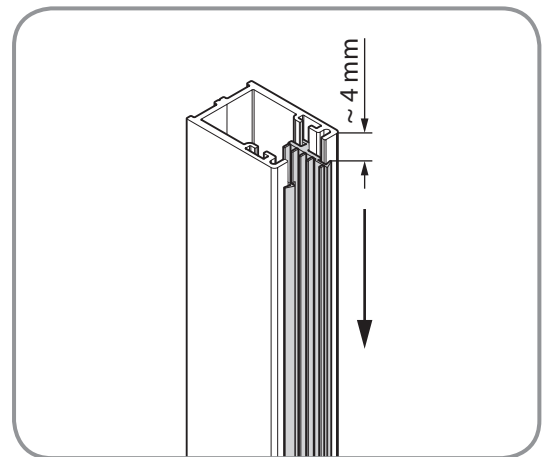
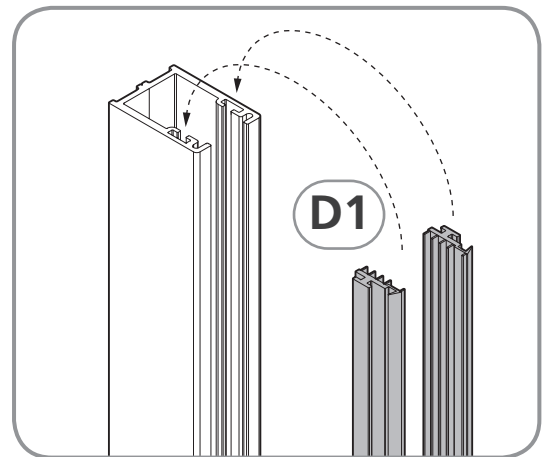
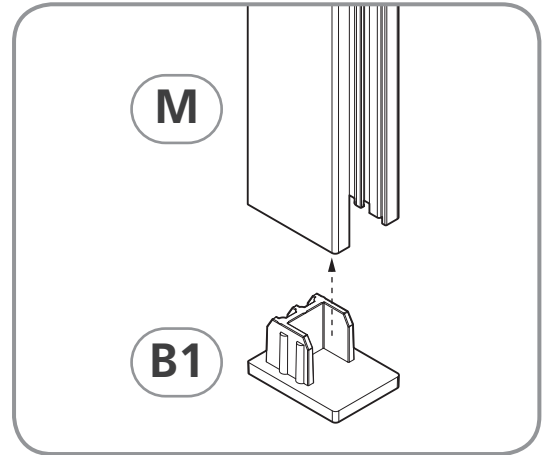
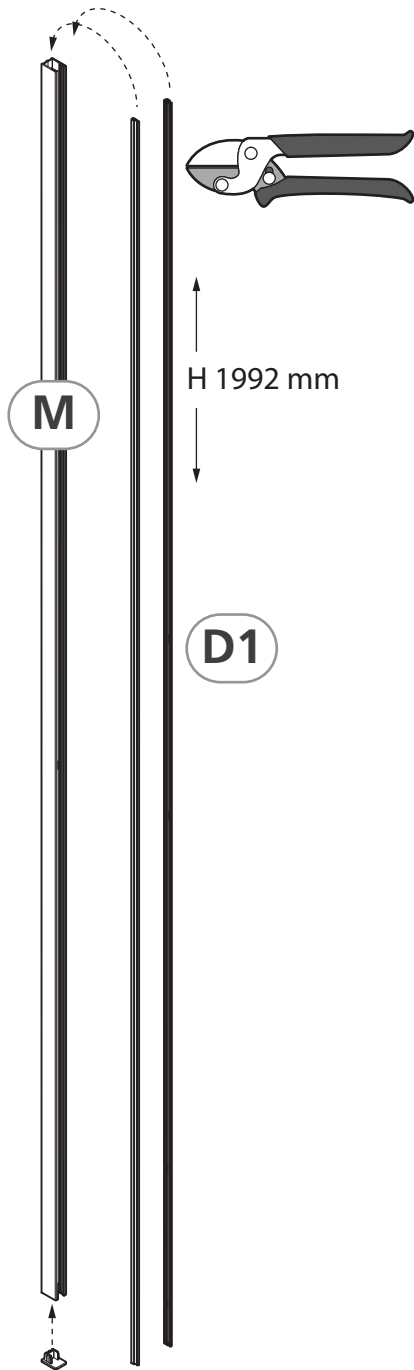
D1 x1




D3 x1




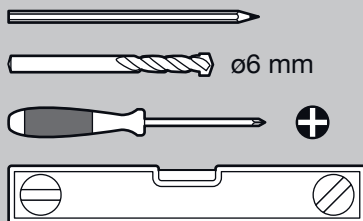
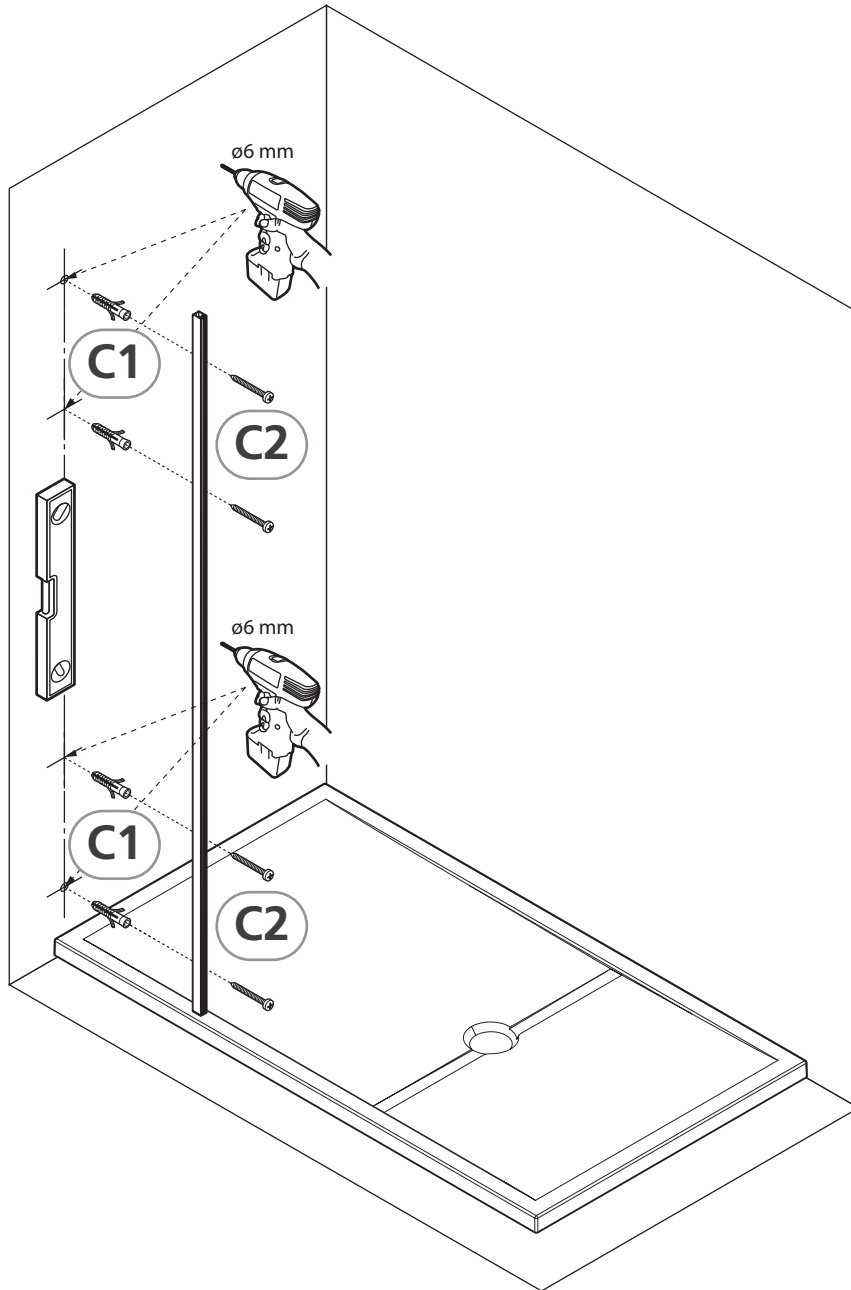
1



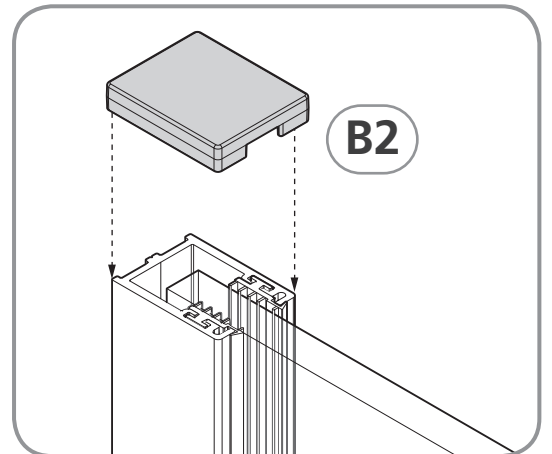
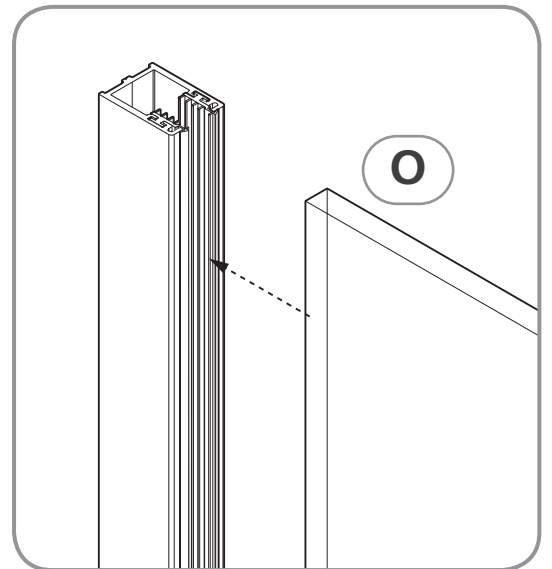
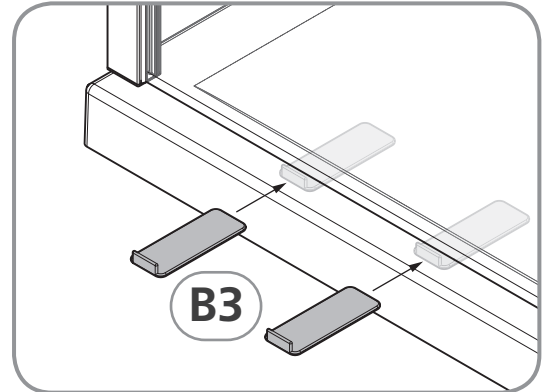
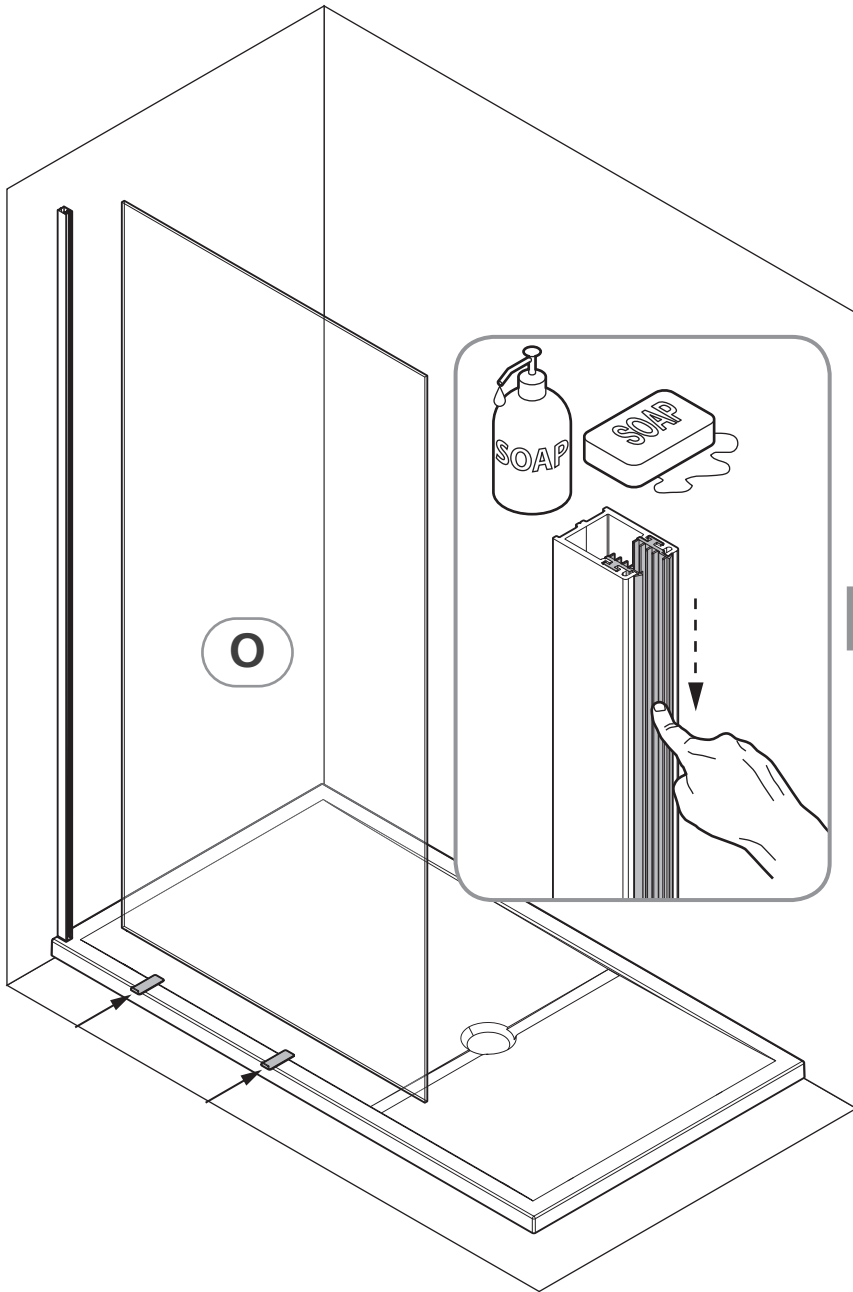
M 

D1 
(H x2)-(H+H x4)

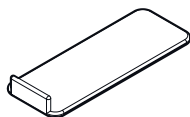
B1  (H x1)-(H+H x2)



3

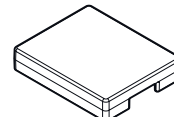


B3

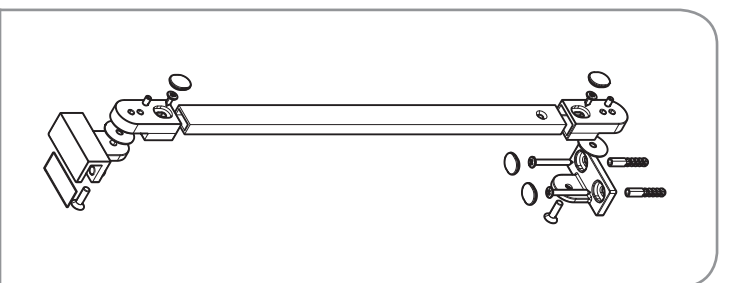
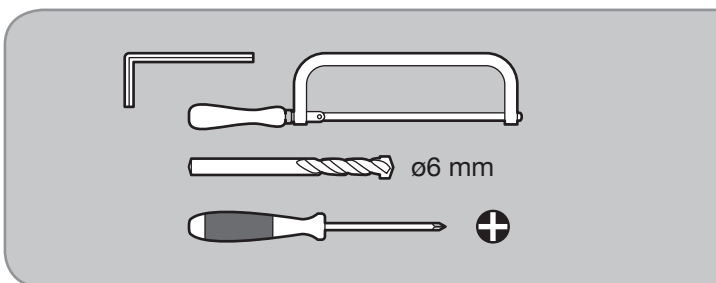
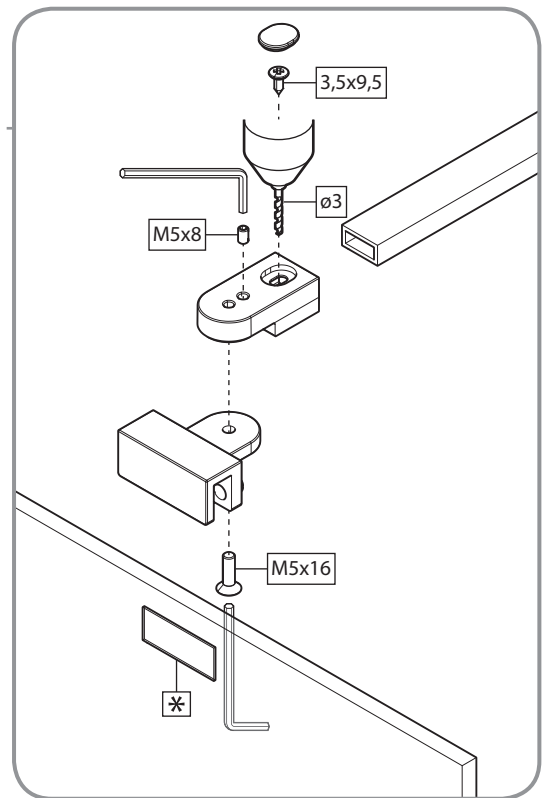
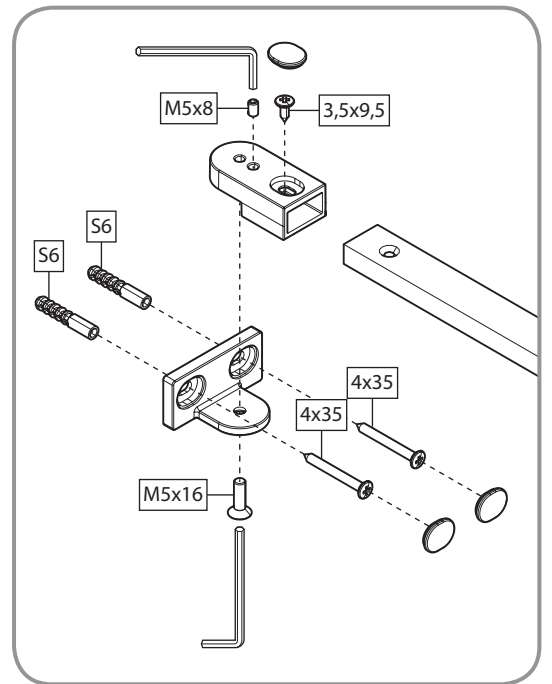
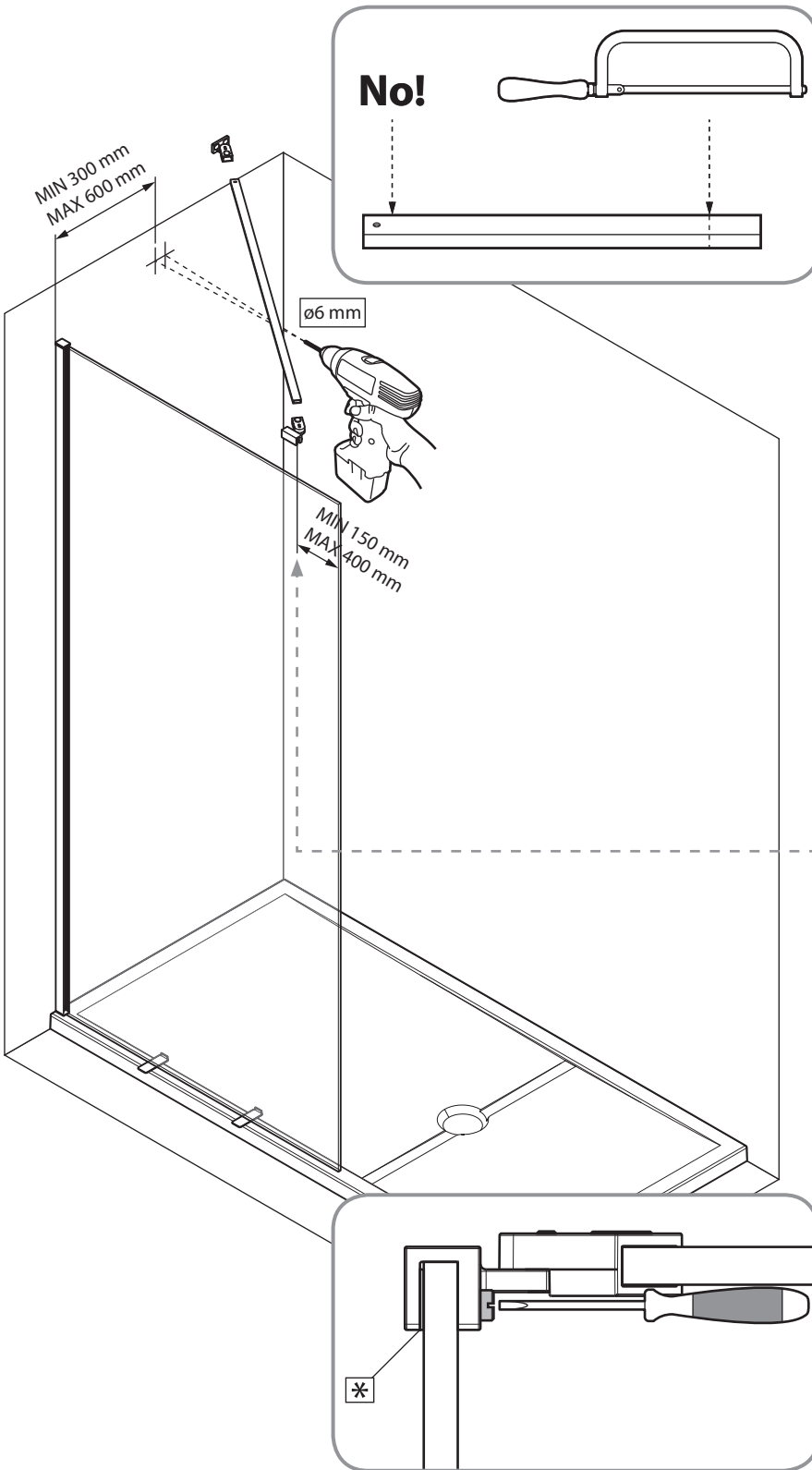


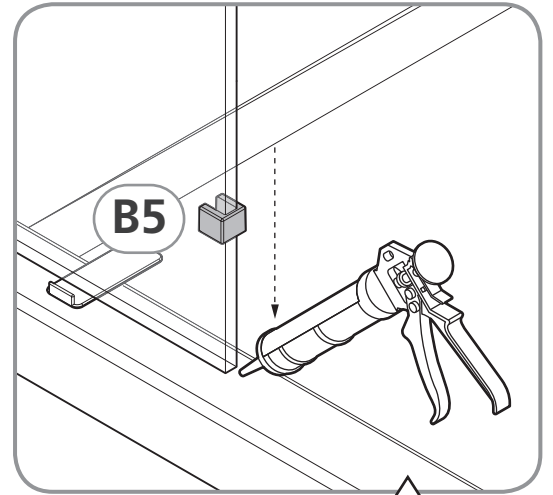
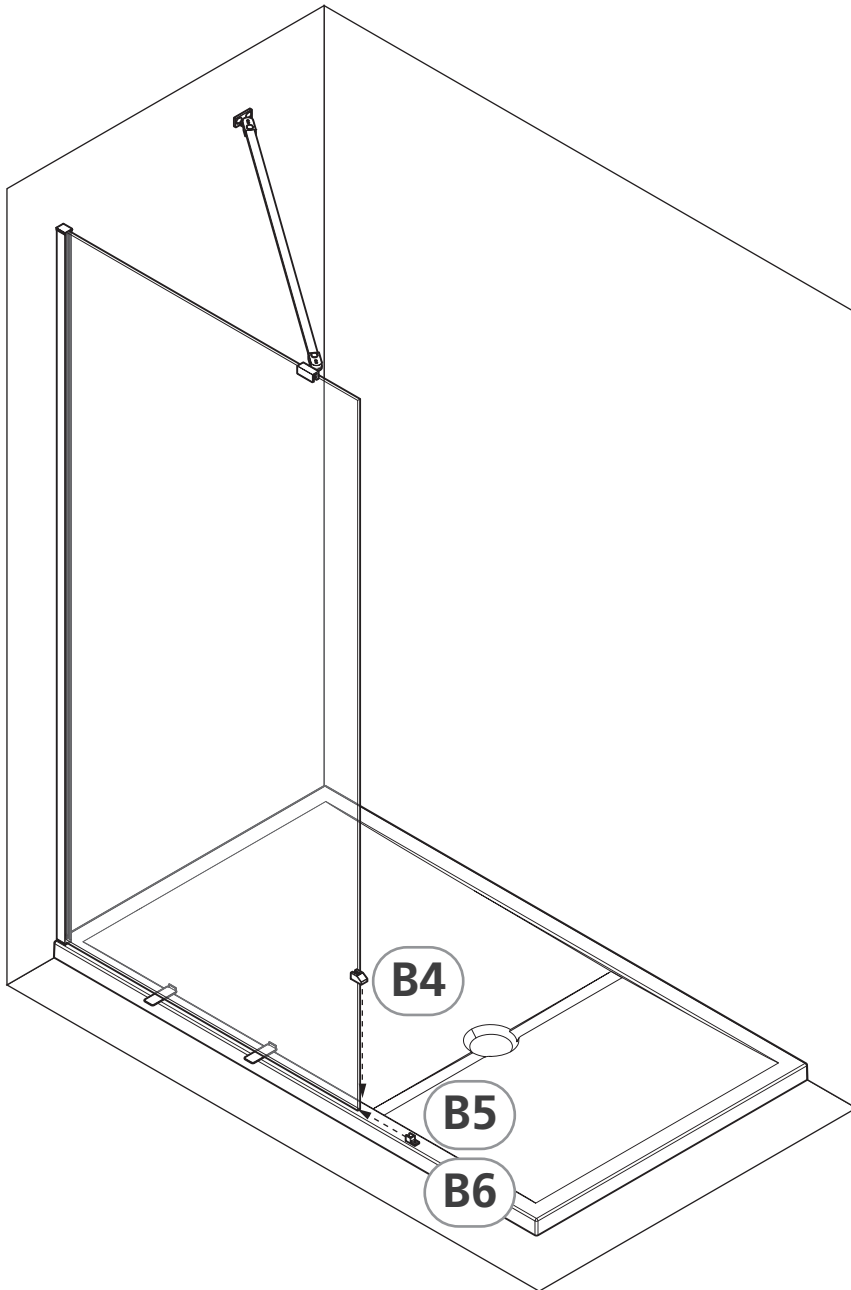
(H x2)-(H+H x4)

B2

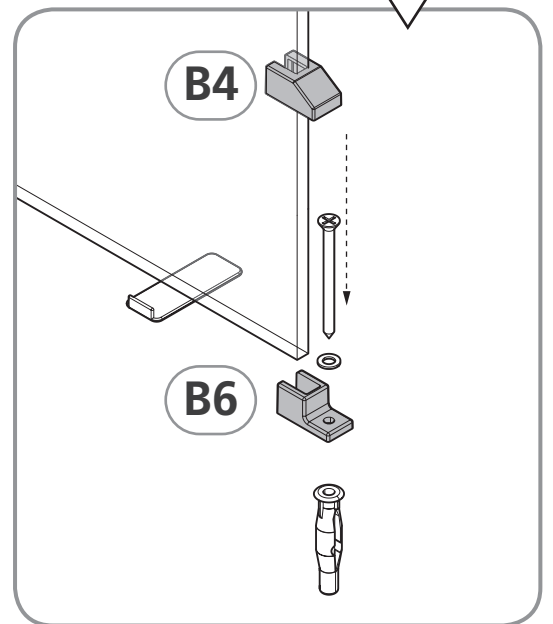
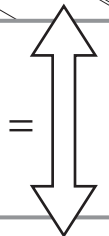


(H x1)-(H+H x2)

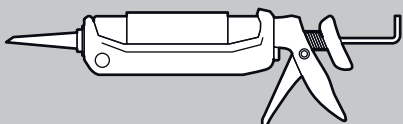




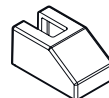
Ceramic



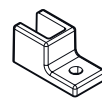
Concrete



B4



B6



B5

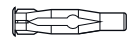


C4

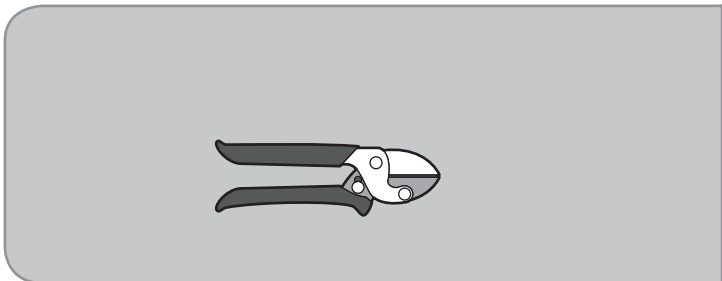
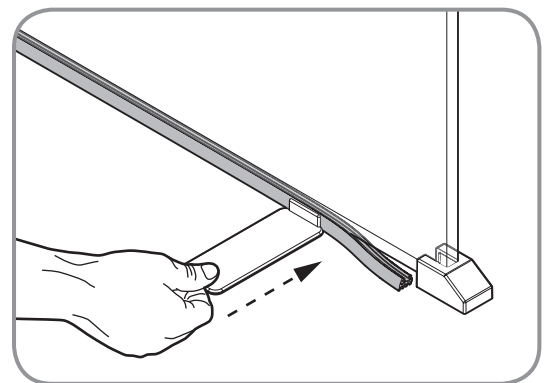
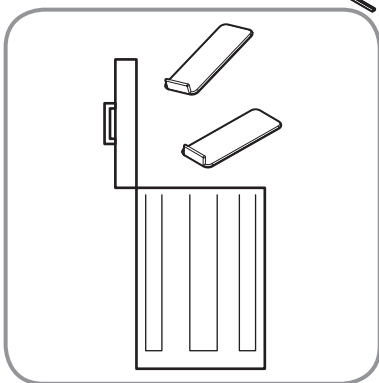
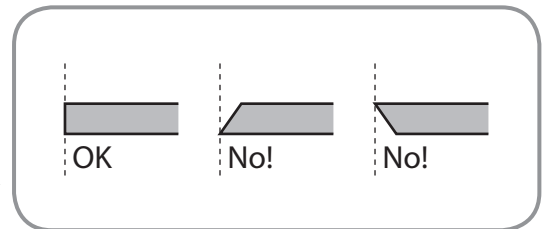
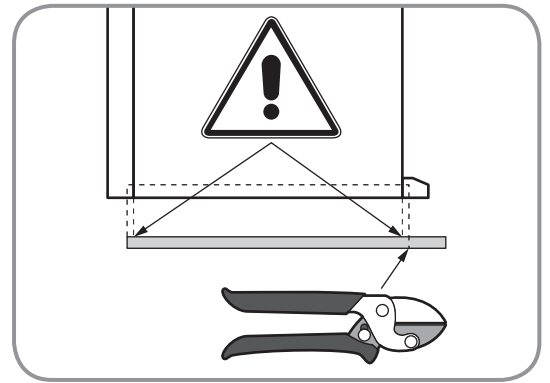
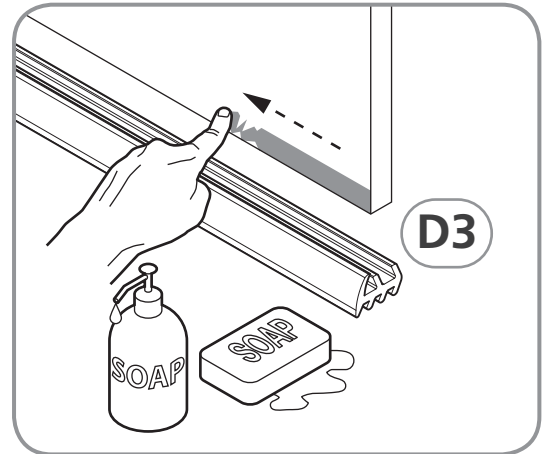
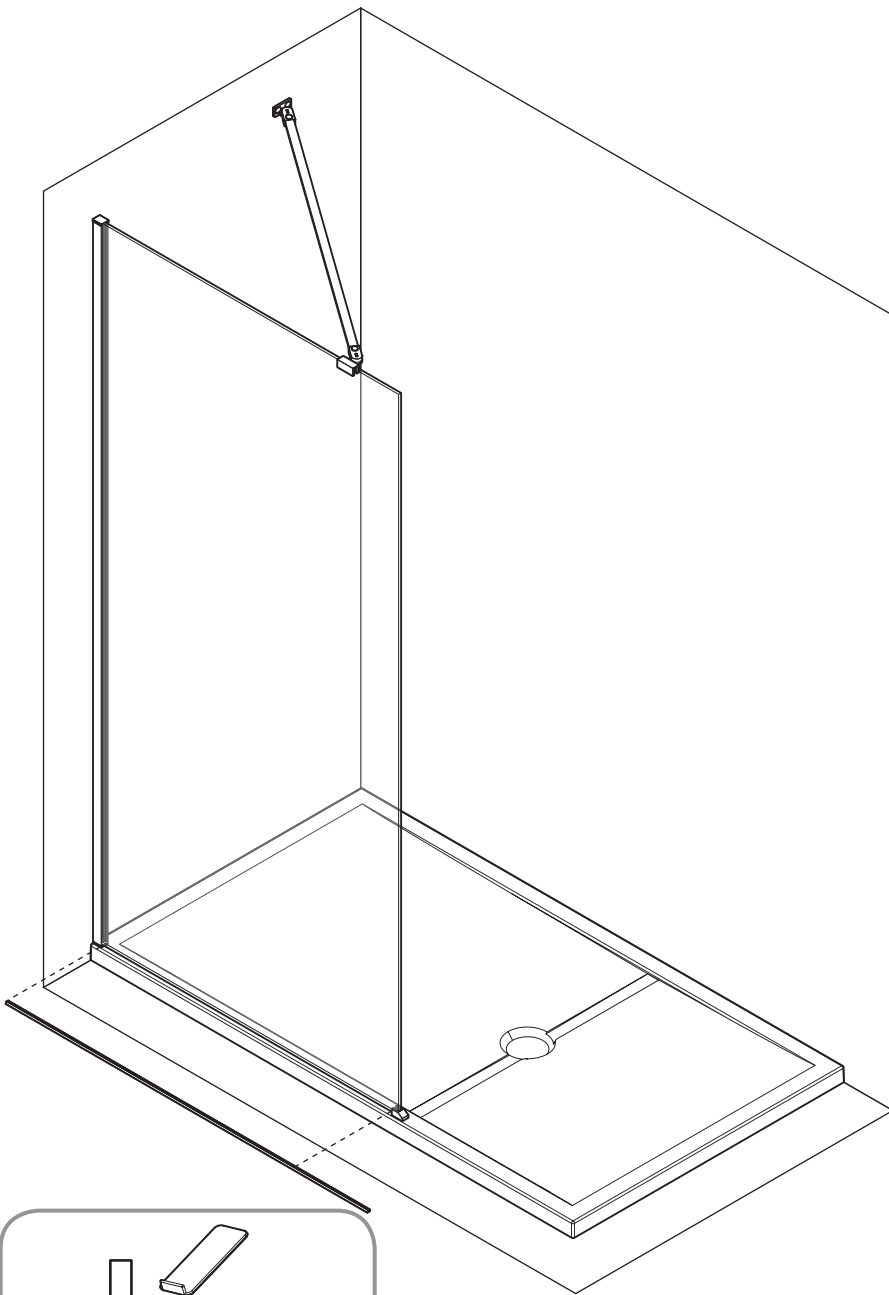


4,5X60

C5



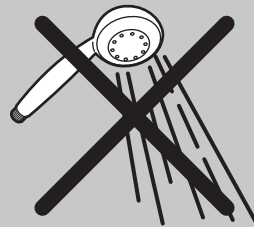
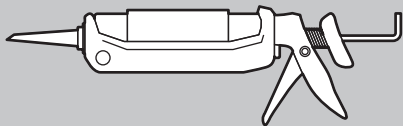
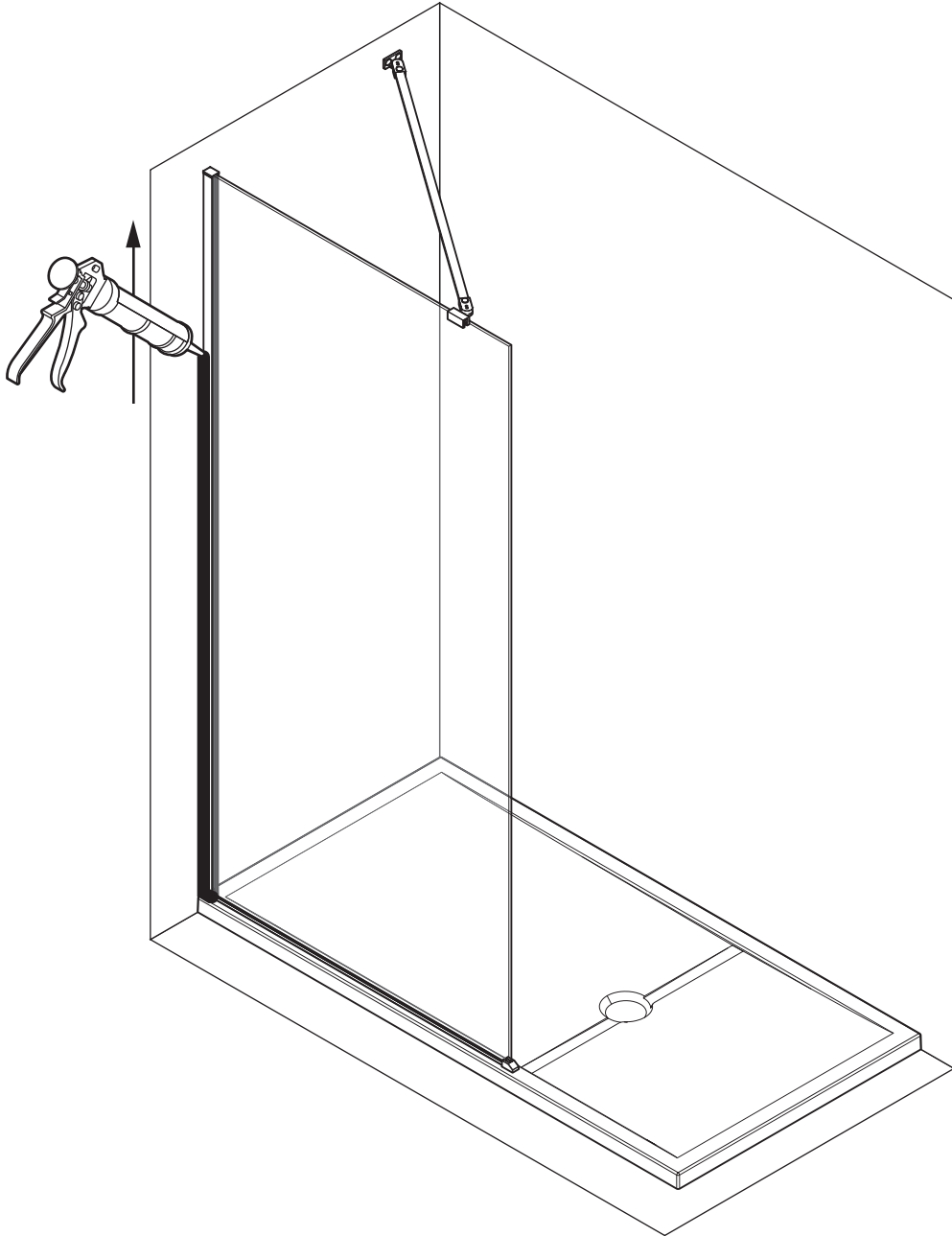
FU8x50

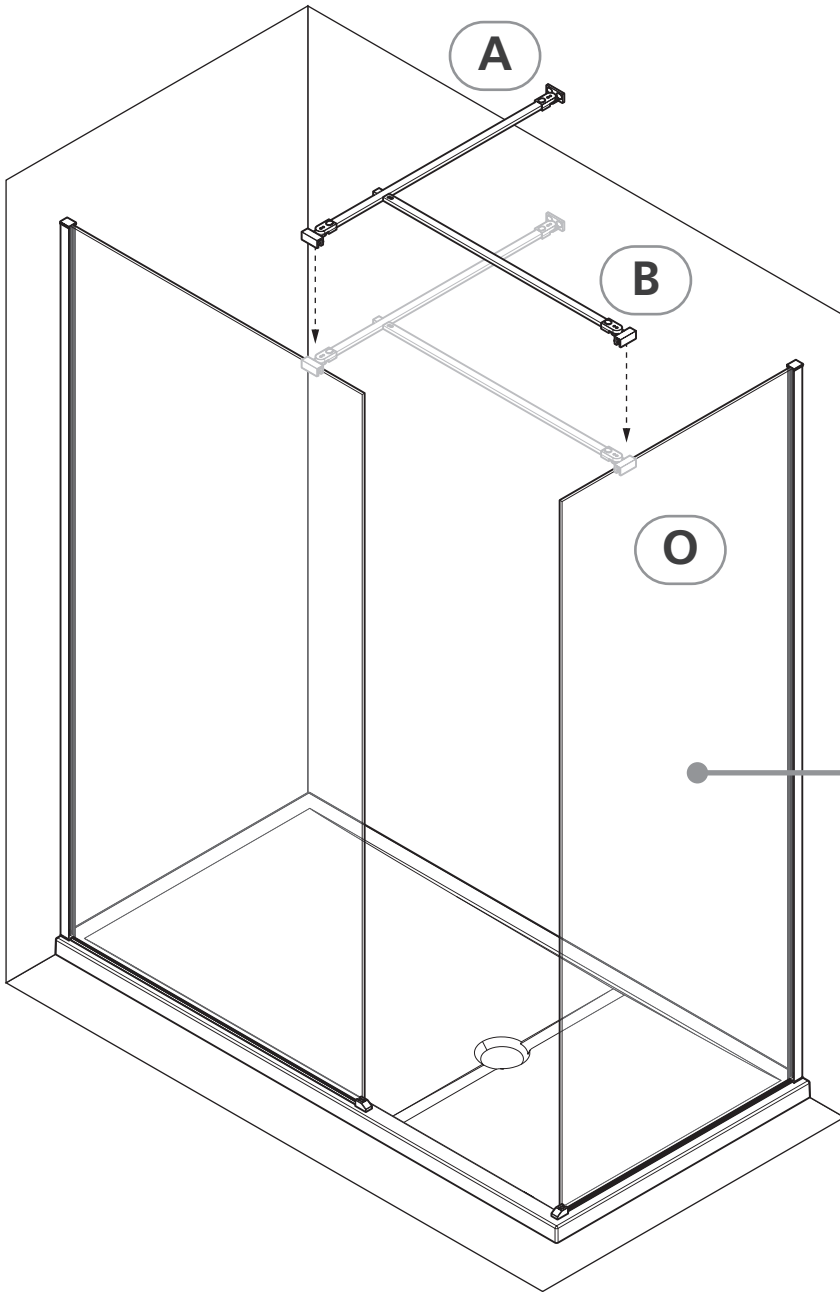


D3



7





1

2

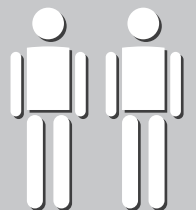
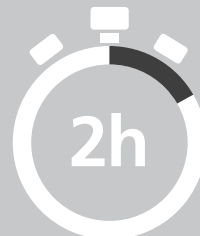
3

4

5

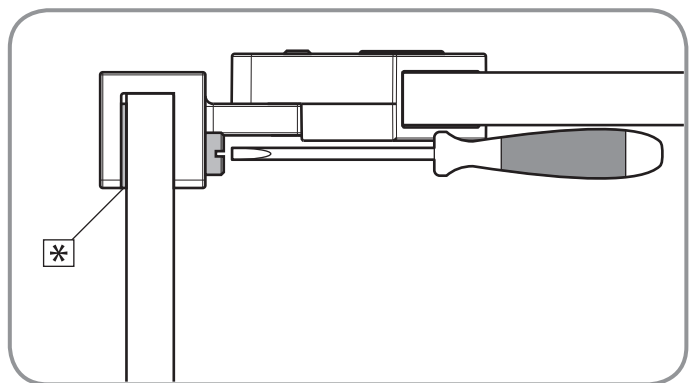
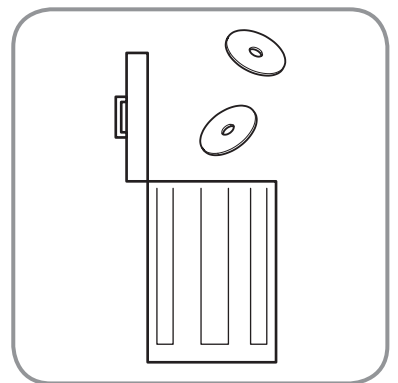
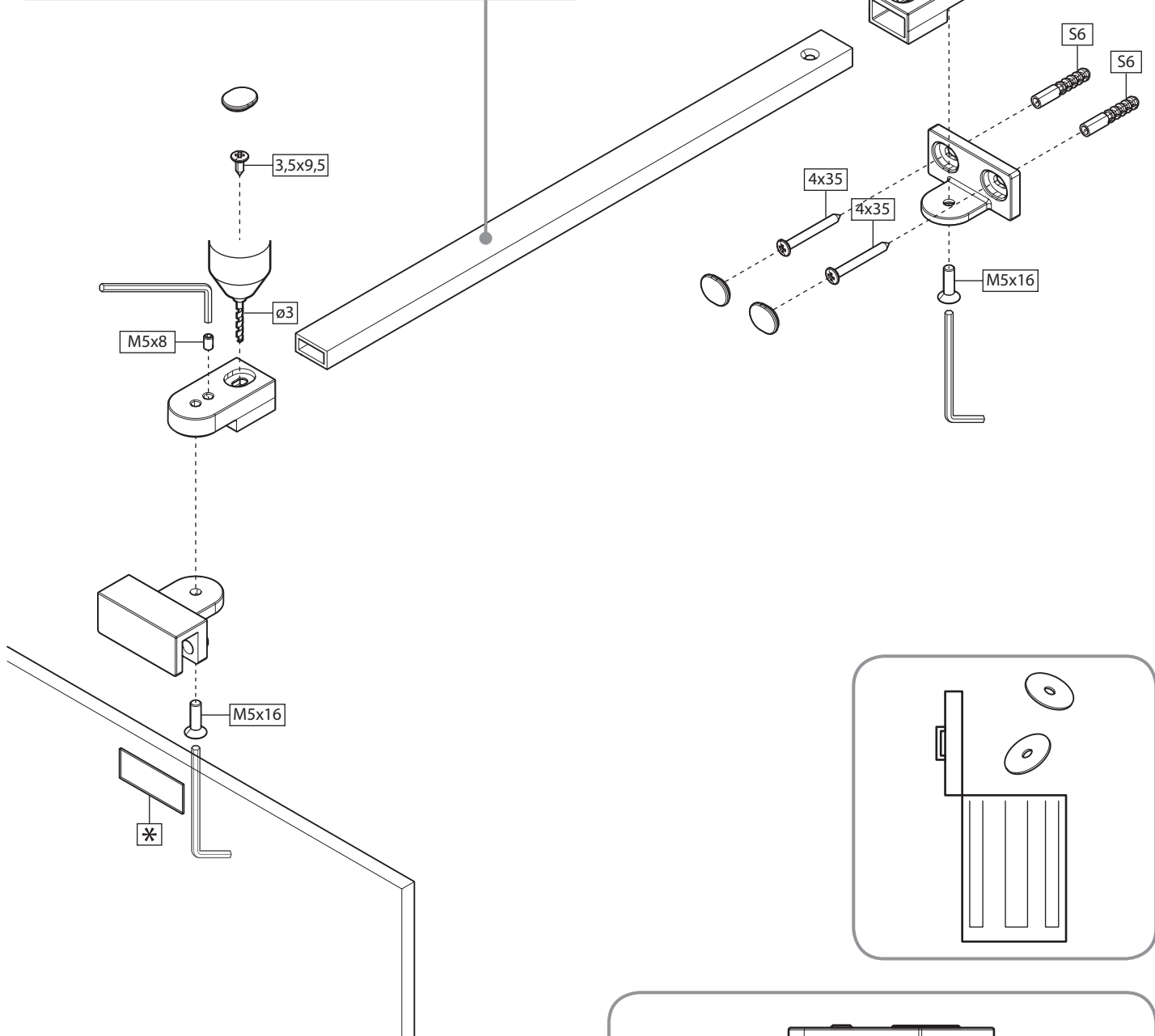
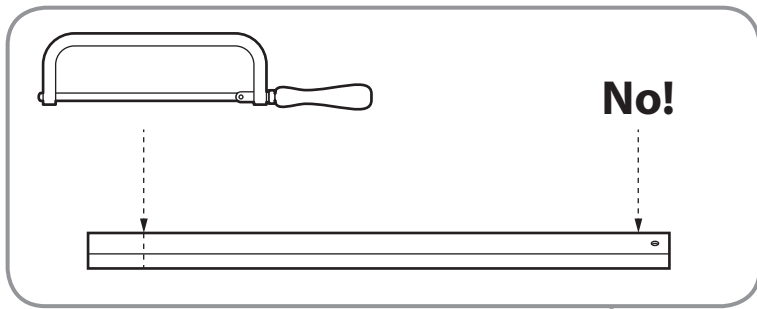
6

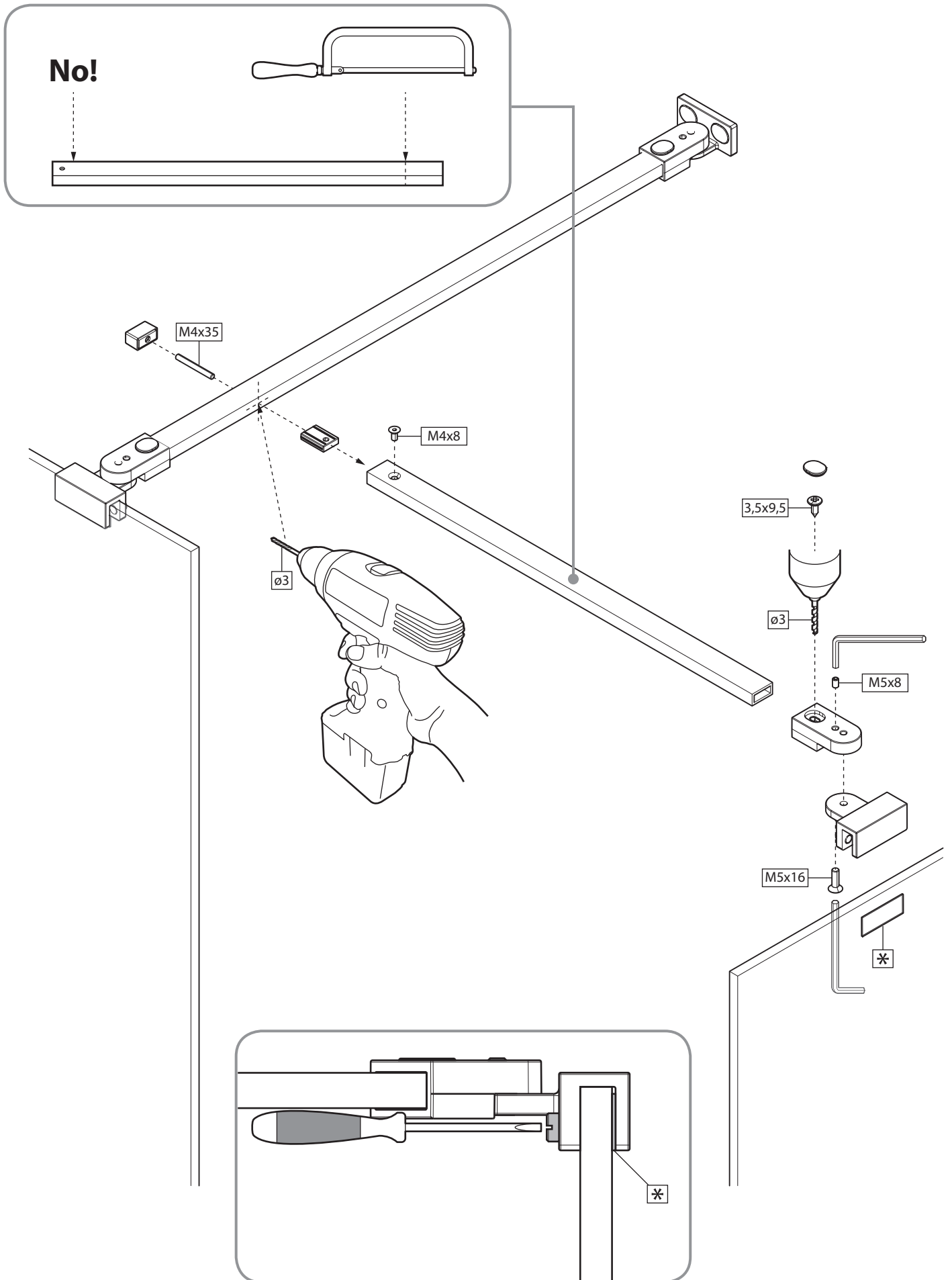
7

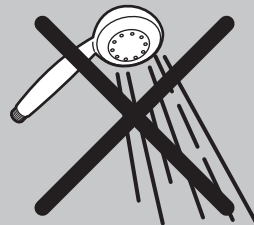
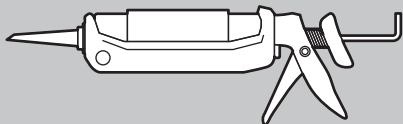
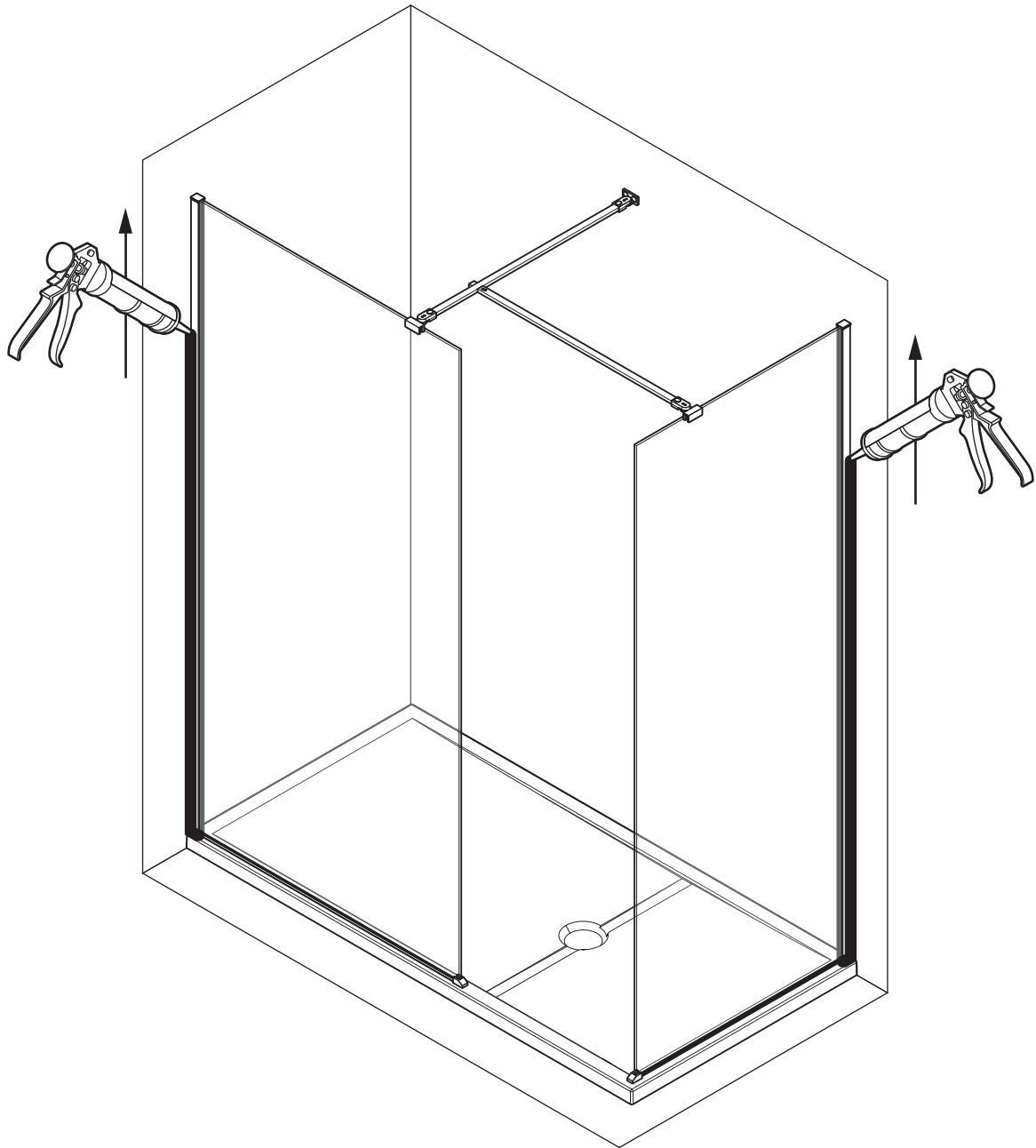


9

A







Note:

Lined writing area consisting of 20 horizontal lines.

Blank rounded rectangular box at the bottom of the page.

